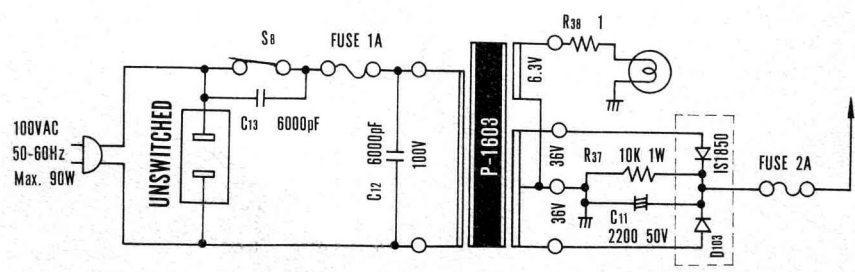
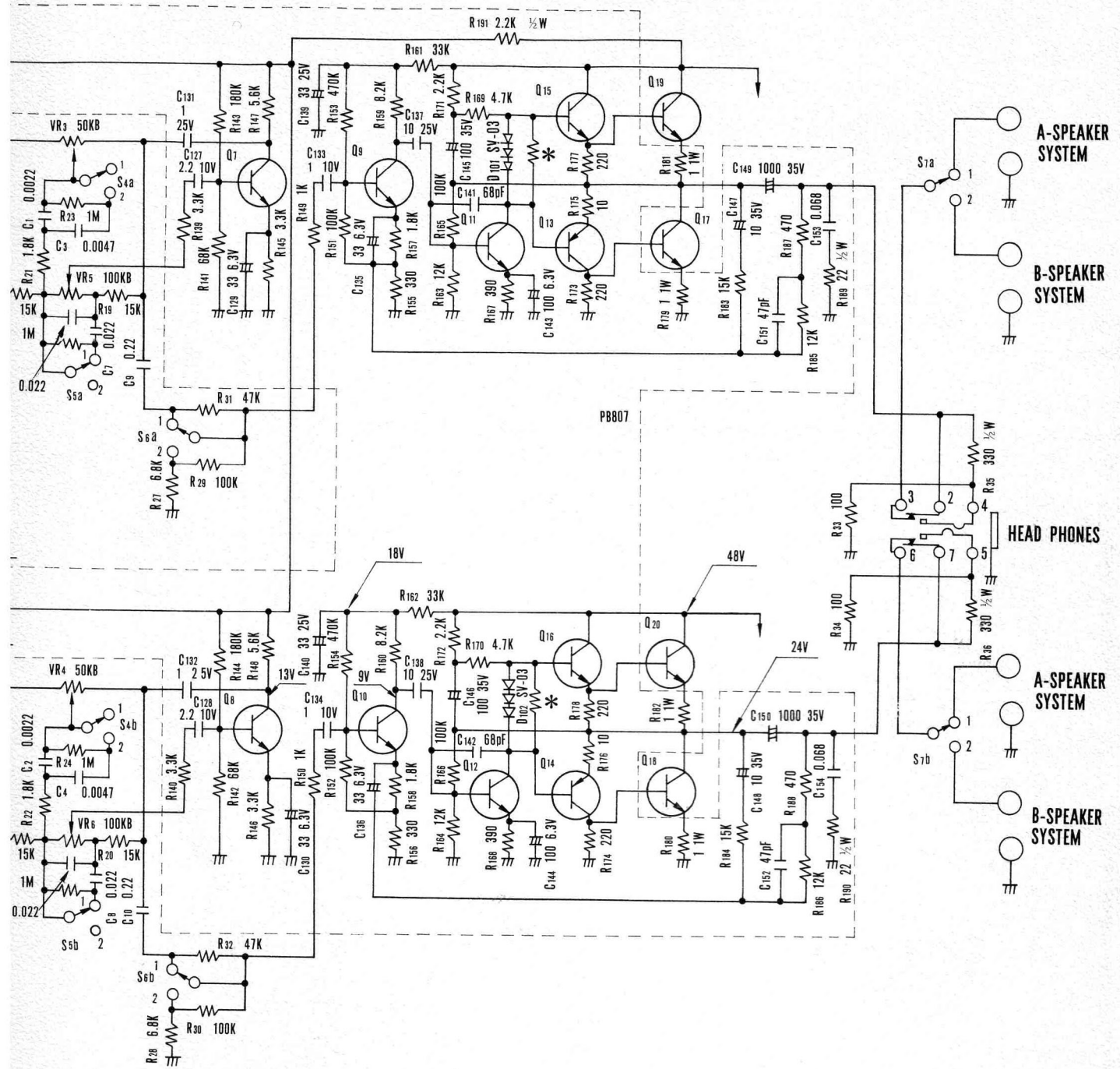


- S₁ FUNCTION** (1. AUXILIARY 2. PHONO
3. TUNER 4. TAPE RECORDER)
- S₂ MONITOR** (1. OUT 2. IN)
- S₃ MODE** (1. STEREO 2. MONO L+R)
- S₄ TREBLE** (1. MILD 2. INTENSE)
- S₅ BASS** (1. MILD 2. INTENSE)
- S₆ ATTENUATOR** (1. NORMAL 2. ATTENUATOR)
- S₇ SPEAKER SYSTEM** (1. A-SPEAKER 2. B-SPEAKER)
- S₈ POWER** ON --- OFF

- VR1 BALANCE CONTROL**
- VR2 VOLUME CONTROL**
- VR3, VR4 TREBLE CONTROL**
- VR5, VR6 BASS CONTROL**

- Q1 ~ Q8 2SC693GU**
- Q9, Q10 2SC694G**
- Q11, Q12 2SC734Y or 2SC815L**
- Q13, Q14 2SA545**
- Q15, Q16 2SC853**
- Q17 ~ Q20 2SD92**

UNLESS OTHERWISE SPECIFIED,
ALL RESISTORS ARE IN OHM, $\frac{1}{4}$ W,
K = $\times 10^3$, M = $\times 10^6$
ALL CAPACITORS ARE IN MFD,
DC VOLTAGES MEASURED TO GF



SQ707

TT ±10%,
IND WITH ZERO SIGNAL.